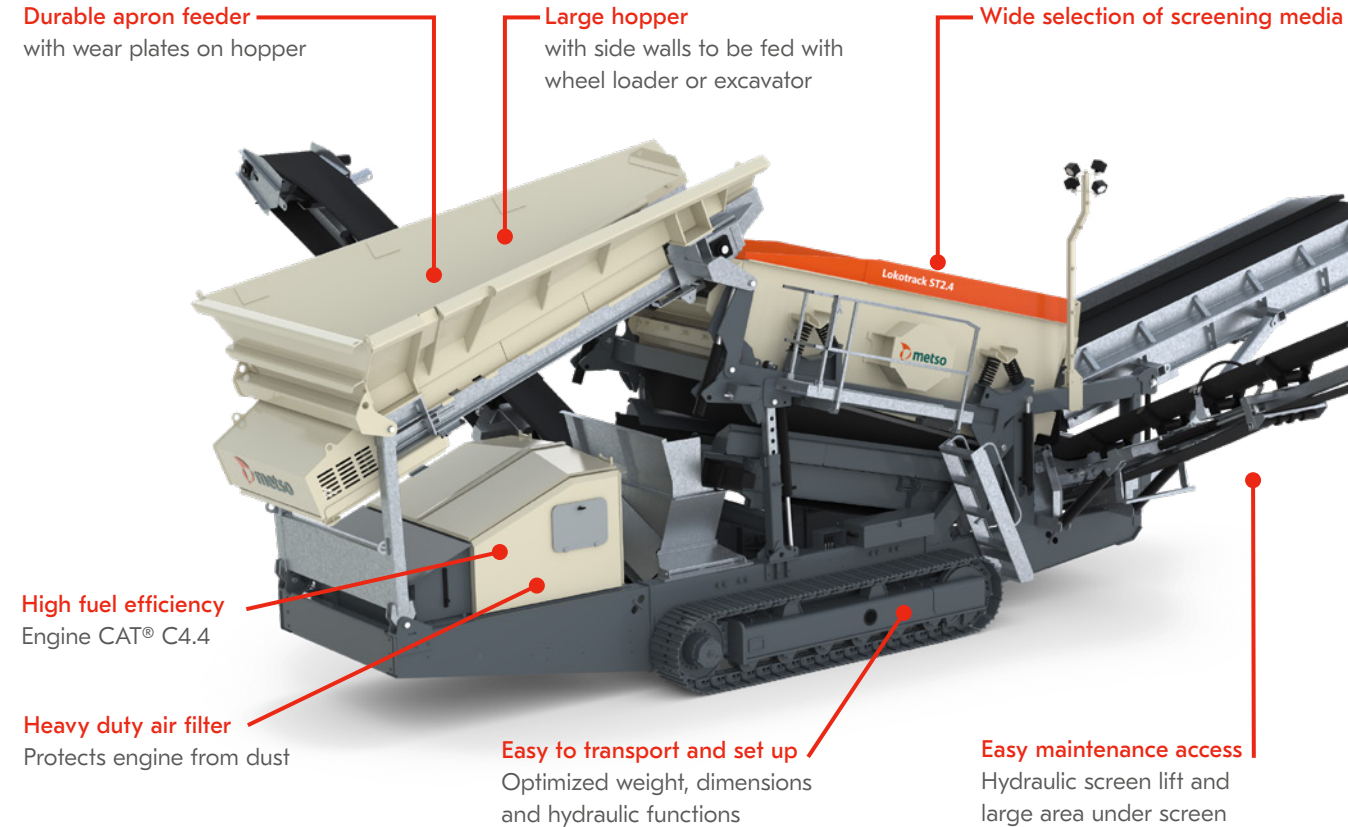


Lokotrack® ST2.4™ & ST2.4E

Efficient primary scalping in compact size

Despite its small size ST2.4 is durable and efficient screen for any primary scalping, topsoil and recycled waste screening project. It is easy to operate and maintain with hydraulic functions, and it can be connected with other Lokotracks to monitor the entire crushing process.








Areas of application:

- Primary scalping
- Topsoil
- Recycled waste
- Road base
- Fine aggregates

- Fast set-up time with hydraulic feeder raising**
- Durable and easy to operate**
- Excellent access for screening media changes**
- Diesel-electric drive with e-Power**

Technical details Lokotrack® ST2.4™ & ST2.4E

<p>Screen</p>  <p>Size 3,640 x 1,520 mm (12' x 5')</p> <p>Screening area 5.6 m² (6.7 yd²)</p> <p>Decks 2</p> <p>Nominal capacity* 400 Mtph (440 Stph)</p> <p>Stroke Up to 13 mm</p> <p>Screening media Plate grizzly, Finger grizzly, Punch plate</p>	<p>Feeder</p>  <p>Type Belt or Apron feeder</p> <p>Hopper volume 4.5 m³ (5.9 yd³) standard 11 m³ (14.3 yd³) extensions</p> <p>Loading height 3,054 / 3,450 mm (10' / 11' 3")</p> <p>Loading width 3,000 mm (9' 10")</p> <p>Max feed size 500 mm (20")</p>	<p>Conveyor</p>  <p>Conveyor oversize width 1,200 mm (47")</p> <p>Side conveyor midsize width 650 mm (26")</p> <p>Side conveyor undersize width 650 mm (26")</p> <p>Under screen conveyor width 1,200 mm (47")</p>	<p>Engine power options</p>  <p>Model CAT® C4.4</p> <p>Tier 3 75 kW (100 hp)</p> <p>Stage IIIA 98 kW CSE (131 hp)</p> <p>Tier4F 75 kW (100 hp)</p> <p>Fuel consumption 7-10 l/h</p> <p>e-Power electric drive 2 x 37.5 kW*</p> <p><small>Available as a standard option *powered by external electrical supply</small></p>	<p>Transport dimensions</p>  <p>Length 14,200 mm (46' 7")</p> <p>Width 2,990 mm (9' 10")</p> <p>Height 3,200 mm (10' 6")</p> <p>Weight 23,000 kg (50,700 lbs)</p>
---	--	--	--	---

*Capacity depends on application (required end products, feed material characteristics and size, moisture etc.)

Proven Metso screening media.

High mobility and transportability.

Wide maintenance platforms for improved safety.

Easy accessible maintenance.

"Despite the small size, ST2.4 proved to be a surprisingly efficient machine. It managed to continuously screen all that was fed through the LT1110 pre-crushing. As a result, clean concrete sand was cut off before secondary and fine crushing."
Lauri Lintunen LL Company, Finland.